

VersaTrax™

Y-Series

Up. Down. See All Around.



BENDING THE BOUNDARIES OF REMOTE VISUAL INSPECTION

VersaTrax can perform difficult inspections over a wide range of pipe sizes in virtually any orientation.

Easily navigate bends and vertical pipe segments

The VersaTrax™ Y-Series inspection crawler is a state-of-the-art pipe inspection system with advanced capabilities. This sophisticated robotic crawler provides detailed remote visual inspection, traveling up to one kilometer (3,300 ft) in a single run.

It is well suited for all challenging geometry pipelines or conduits. The unique three-tracked design allows for vertical travel, even through bends.

The VersaTrax can be utilized for regular maintenance and monitoring campaigns or quickly troubleshoot a problem in emergencies. The VersaTrax is the workhorse of pipe inspection and can carry a wide variety of sensors or tooling.

Industries

- Petrochemical
- Oil & Gas
- Nuclear
- Mining
- Municipal
- Water
- LNG

Applications

- Drill risers
- Caissons
- Penstocks
- Water pipework
- Sewer lines
- Gas pipes
- Pipes featuring horizontal and multiple bends.



ADJUST TO SIZE. POWER TO SPARE.

The VersaTrax™ crawler is a unique solution for asset integrity condition assessments of those seemingly inaccessible industrial locations.

Easily navigate multiple bends and vertical pipes

Combining the power of three uniquely designed tracks and an expandable tripod chassis, the VersaTrax can perform difficult inspections over a range of pipe sizes in virtually any orientation.

Auxiliary LED lighting complements the high-quality video captured by the onboard cameras, while real-time sensors indicate pipe size and expansion force.

Constructed out of anodized aluminum and stainless steel, designed to resist field abuse and rough operations, making it ideal for land-based applications, the VersaTrax is also fully submersible for underwater inspections. The VersaTrax family carries a base 60m (200ft) depth rating by default, thus allowing stress-free in-service inspections in conditions where water and humidity are present.

Unmatched power to inspect what others can't

VersaTrax crawlers are engineered to outperform conventional wheel or track based robots in the pipe environment. VersaTrax can drive up to 1km (0.6 mi) in a pipe.

Need to reach further distances with a single access point? Ask our experts to look at your application. Custom solutions based on the VersaTrax technology can go beyond what seems possible.

The unique three-track chassis and proprietary tracks offer an incredible pulling force, making it possible to carry an impressive payload vertically through bends.

An optional front rotating tooling arm is ideal for positioning tools or sensors precisely on the pipe's circumference.



Live camera stream

VersaTrax crawlers are equipped with a rugged camera that can withstand the harshest environments. Offering a super low latency video stream allows you to easily navigate around obstacles and make instant decisions while the crawler is 1km (0.6 mi) away.

Many camera options are available on the VersaTrax, ranging from full Pan, Tilt, and Zoom (PTZ) to the compact PT Spectrum camera.



Simple and optimized interface

VersaTrax utilizes Eddyfi Technologies ICON™ software. Whichever crawler the operator uses, the software interface stays the same, allowing you to reduce the amount of time spent training and flattening the learning curve.

Software features include crawler operation, project/job image tagging and annotation, video recording, sensor data recording, plugins providing automation, and more.

Talk to our experts to discuss which robotic crawler is best suited for your application.

SPECIFICATIONS

DESCRIPTION	VT-Y200	VT-Y380
Pipe opening range	200mm (8in) - 400mm (16in)	380 (15in) - 915mm (36in)
Maximum tether length	300m (1000ft)	1000m (3300ft)
Maximum Speed	3.6m (12ft) per minute	6.4m (21ft) per minute
Vehicle weight	8.5kg (19lb)	46kg (102lb)
Tether weight	0.101kg/m (0.068lb/ft)	0.119kg/m (0.08lb/ft)
Vertical payload (tether + load)	17kg (38lb)*	34kg (75lb)*
Camera	Spectrum 45 PT camera and rear auxiliary camera	Spectrum 90 PTZ camera and rear auxiliary camera Optional: Spectrum 120 HD PTZ camera and rear auxiliary camera
Controller	IC500 portable controller	Rackmount controller
Lighting	2x auxiliary LED lights	3x auxiliary LED lights
Depth Rating	60m (200ft)	60m (200ft)
Operating temperature	Normal: 0°C to 45°C (32F to 113F) Limited: -10° to 45°C (14F to 113F)**	Normal: 0°C to 45°C (32F to 113F) Limited: -10° to 45°C (14F to 113F)**

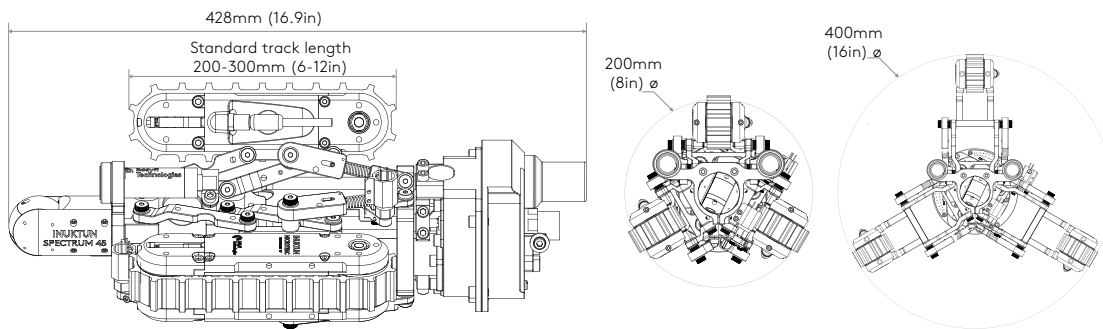
*Actual payload is affected by surface condition, geometry of the pipe (diameter) and bend.

**Running outside the normal operating condition for prolonged periods of time can affect system performance and reduce life expectancy of some components.

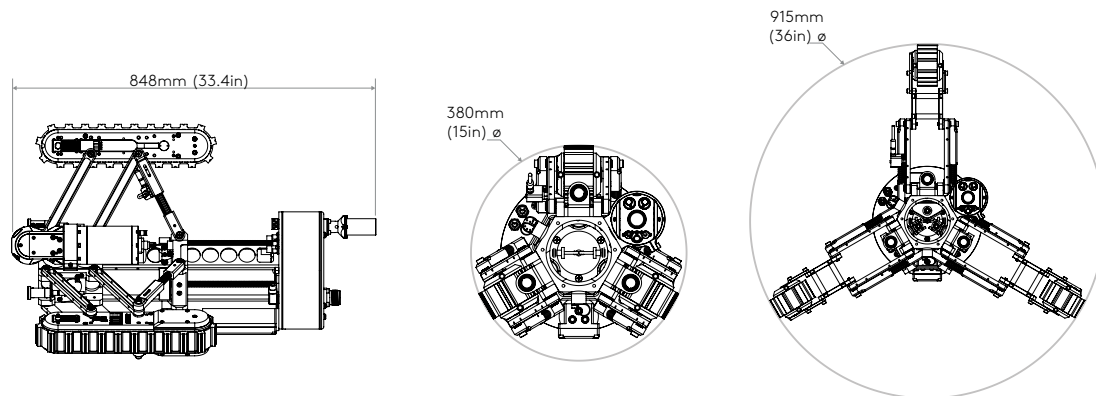
Standard Dimensions

Units in mm (in)

VT-Y200



VT-Y380



The information in this document is accurate as of its publication. Actual products may differ from those presented herein. © 2023 Eddyfi Canada Inc. VersaTrax, Spectrum, ICON and their associated logos are trademarks or registered trademarks of Eddyfi Robotics. (wholly owned subsidiary of Eddyfi Canada Inc.) in Canada and/or other countries. Eddyfi Technologies reserves the right to change product offerings and specifications without notice. Eddyfi Technologies is a Previa Business Unit.